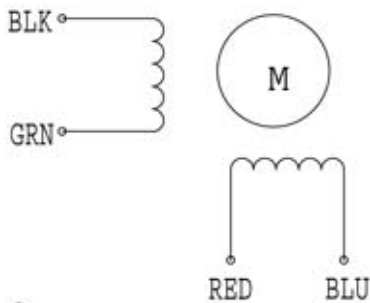


HIGH TORQUE HYBRID STEPPING MOTOR SPECIFICATIONS

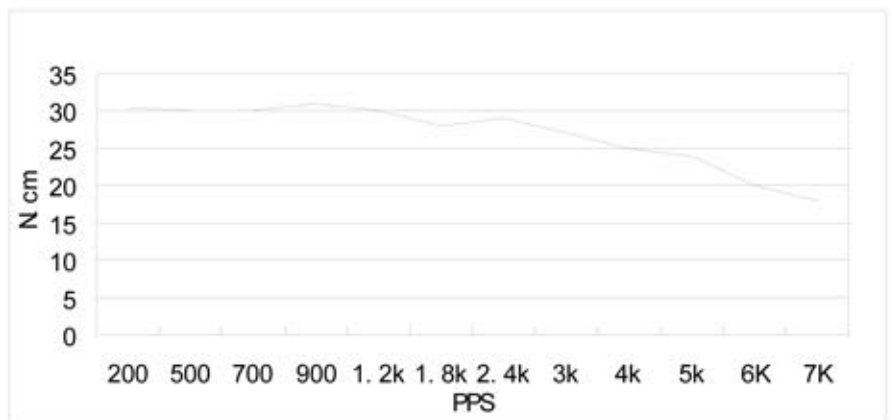
General specifications		Electrical specifications	
Step Angle (°)	1.8	Rated Voltage (V)	2.8
Temperature Rise (°C)	80 Max (rated current, 2 phase on)	Rated Current (A)	1.68
Ambient Temperature (°C)	-20 ~ +50	Resistance Per Phase ($\pm 10\%$ Ω)	1.65 (25°C)
Number of Phase	2	Inductance Per Phase ($\pm 20\%$ mH)	2.8
Insulation Resistance (M Ω)	100 Min (500VDC)	Holding Torque (N.cm)	44
Insulation Class	Class B	Detent Torque (N.cm)	200
Max.radial force (N)	28 (20mm from the flange)	Rotor Torque (N.cm ²)	68
Max.axial force (N)	10	Weight (Kg)	0.365

● Wiring Diagram :

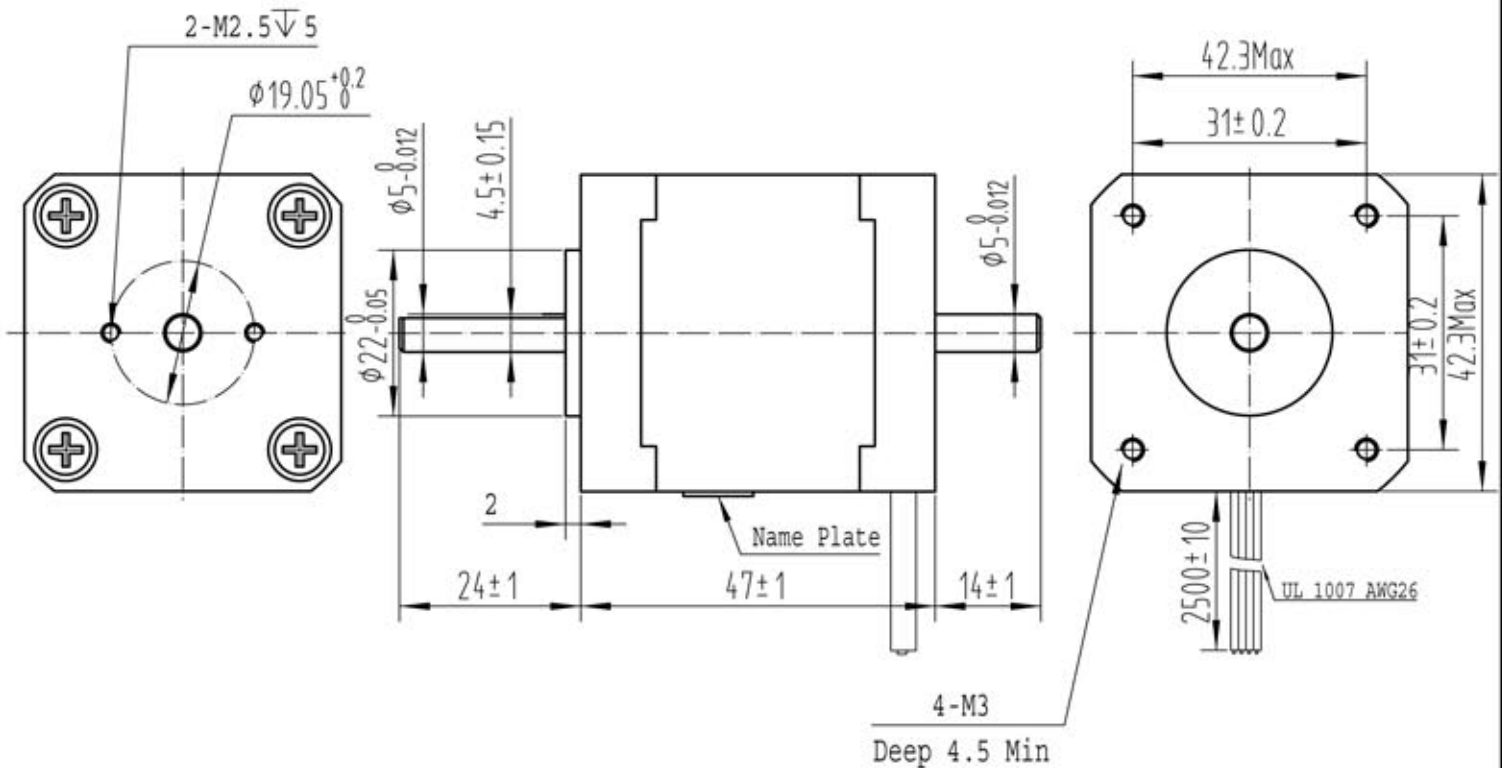


● Pull out torque curve :

VOLTAGE: 24VDC, CONSTANT CURRENT:1.68A, HALF STEP



Dimensions:
(unit=mm)



					SY42STH47-1684B	
REV	REVISIONS	DESCRIPTION	BY	DATE		
DRAW	孔祥振	2012.01.05			Zapp Automation Ltd	
CHECK						
APPROVE						